

# Kinetico 2020c

Non-Electric,  
High Performance Compact  
Water Conditioning System



 **Kinetico**<sup>®</sup>  
home water systems

Conditioned Water 24 Hours a Day, Every Day

Simple, Reliable and Economical Operation

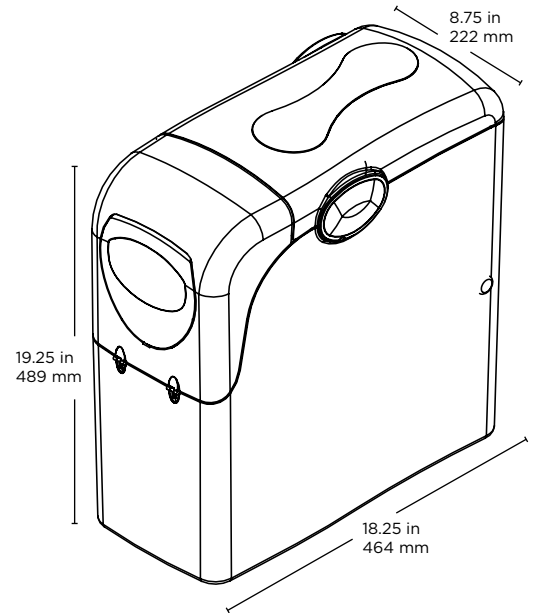
Compact Design

Certified Performance

Installation and Service by Trained Water Treatment Professionals

## What Makes The Kineticco 2020c Different?

1. **Non-Electric Operation.** Reliable. No timers or computers to set, adjust, repair or replace.
2. **Metered, Demand Service.** Unlimited supply of clean, soft water. Eliminates guesswork, water and regenerant waste, and hard water breakthrough.
3. **Easy System Monitoring.** Top window permits easy monitoring of system status.
4. **Twin Tank System.** Unlimited supply of clean, conditioned water. Enables system to regenerate with clean, conditioned water.
5. **Maximum Efficiency.** Low water consumption. High capacity resins ensure maximum regenerant efficiencies.
6. **Maximum Flow.** System is engineered to exceed flow rates typically required by today's demanding households.
7. **Low Flow Metering.** Accurately measures from low flow to high flow to ensure softening capacity is not compromised.
8. **Easy-Open Lid.** No more fumbling with awkward covers. Easy salt loading. Convertible to "no-hinge" lid in the event installation prohibits hinged opening.
9. **Corrosion-Resistant Valve and Tanks.** Long lasting. Can endure harsh environments.
10. **Soft Water, Countercurrent Regeneration.** Increases product efficiency and water quality.
11. **Automatic Operation.** Just add regenerant.
12. **Outstanding Warranty.** Dependability, peace of mind.



### System Specifications Summary

#### Operating Data

Max. Operating Temperature: 120°F (50°C)  
Min./Max. Operating Pressure: 15 psi (1 bar)/120 psi (8.3 bar)

Resin Per Tank: 0.2 ft<sup>3</sup> (5.7 L)  
Salt Type: Kineticco and other block salt or tablet /pellet salt

Dimensions: 8.25 x 17.90 x 19.09 in  
210 x 455 x 485 mm

Regeneration Time: 11 min

Peak Flow Rate: 14.8 gpm (56.0 Lpm)  
Minimum Flow Rate: 0.3 gpm (1.125 Lpm)

### Independent Laboratory Certification

Select Kineticco products are tested and certified by Independent Laboratories such as NSF and WQA. For specific claims and certifying laboratories, refer to performance data sheets or consult your local Kineticco Dealer.

