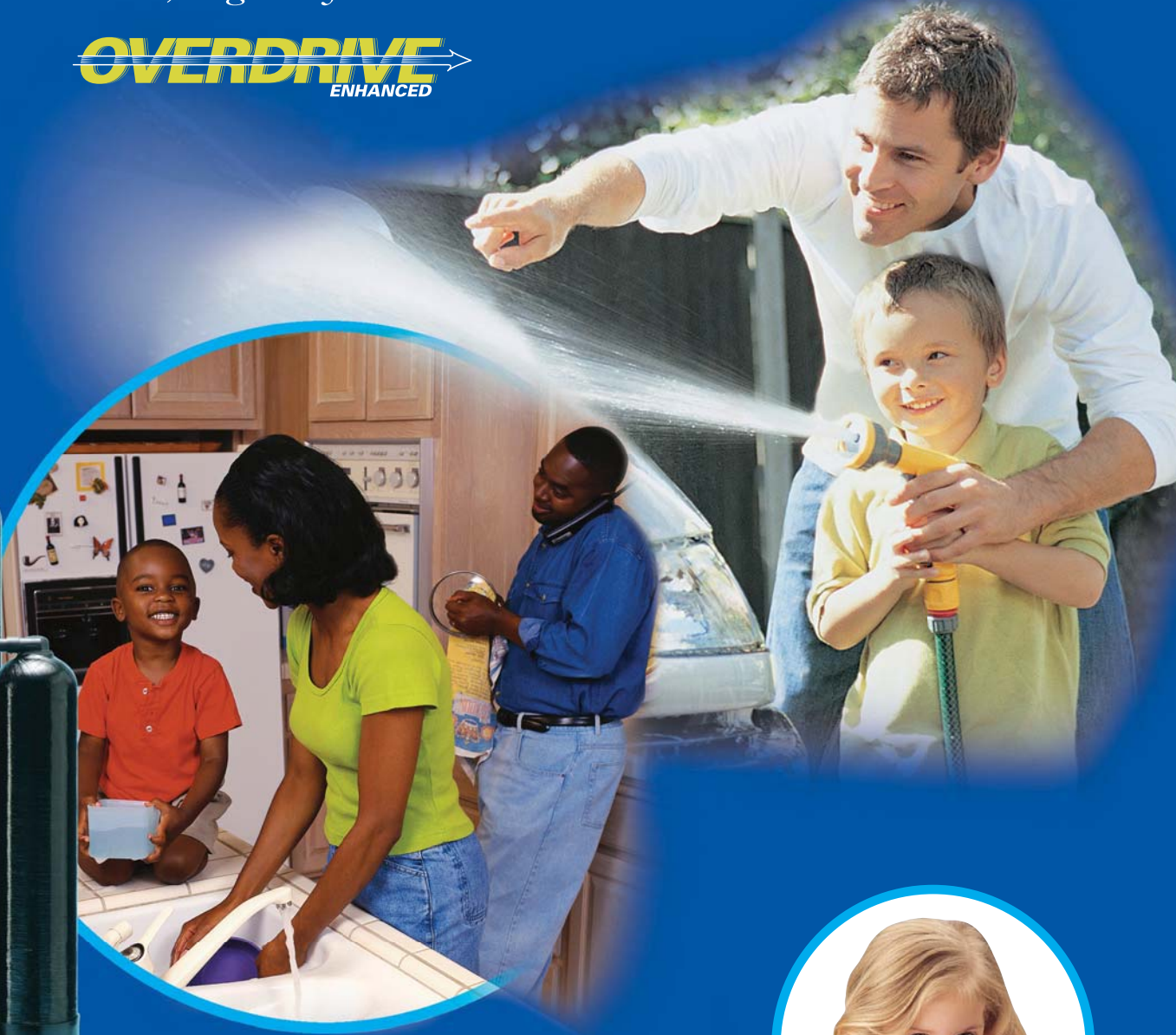


KINETICO®

MACH® Series 2060f and 2100f

Non-Electric, High Performance Whole House Water Filters

OVERDRIVE →
ENHANCED



Kinetico Advantages

Maximum Flow of Clean, Filtered Water 24 Hours a Day,
Every Day

Simple, Reliable and Economical Operation

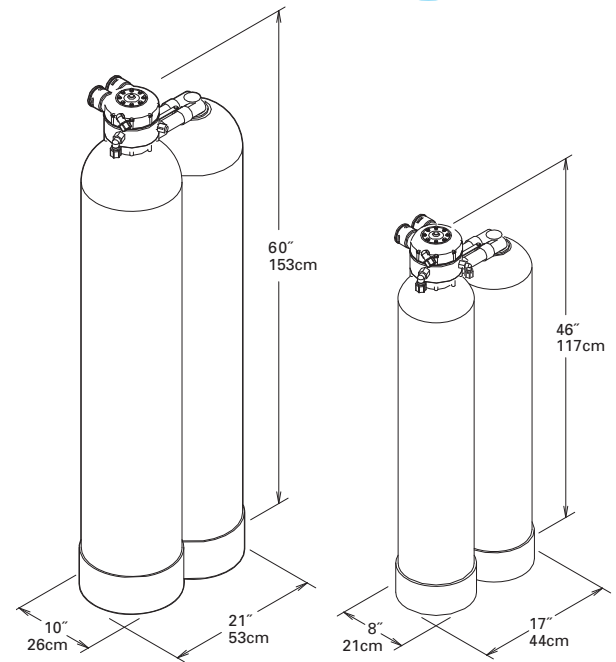
Certified Performance

Installation and Service by Trained Water Treatment Professionals



What Makes The Kinetico Mach 2060f and 2100f Different?

1. **Non-Electric Operation.** Reliable. No timers or computers to set, adjust, repair or replace.
2. **Metered, Demand Service.** Eliminates guesswork, water waste and problem water breakthrough.
3. **Twin Tank System.** Unlimited supply of filtered water. Enables system to backwash (clean itself) with filtered water for more effective system cleaning.
4. **Overdrive Enhanced.** Both tanks are in service simultaneously. Increases performance, efficiency, flow rate and media life.
5. **Large Porting Size.** Perfectly suited for larger plumbing found in many homes. Up to 1½”.
6. **Effective Filtering Capabilities.** Assures continuous, high quality, filtered water. Protects plumbing, appliances, fixtures and clothing.
7. **Choice of Highly Effective Filtration Media:**
Exclusive Macrolite® Ceramic Media for removal of very fine particulate matter to protect plumbing, appliances, fixtures and clothing.
Activated Carbon for dechlorination to improve the taste and eliminate odors from water. Dechlorination reduces drying of hair and skin. Also filters sediment for cleaner water.
Calcite for neutralizing water’s pH level to eliminate blue-green staining and corrosion of plumbing and appliances.
8. **Efficient Use of Water.** Compact media beds require less backwash water. Low water consumption.
9. **Corrosion-Resistant Valve and Tanks.** Long lasting. Can endure harsh environments.
10. **Clean Water, Countercurrent Backwashing.** Increase product efficiency and water quality.
11. **Automatic Operation.** Virtually no maintenance or guesswork.
12. **Outstanding Warranty.** Dependability and peace of mind.
13. **Third Party Certification.** Added assurance.



Kinetico makes a complete line of water treatment products for total water management. Consult your authorized Kinetico dealer for a water analysis and product recommendation.



Kinetico products are used and recommended by Dean Johnson of tv’s “Hometime®”

www.kinetico.com

Made in U.S.A.
 ©2005 Kinetico Incorporated
 “Kinetico,” the Kinetico logo, and the “Girl Drinking Water” image are registered trademarks of Kinetico Incorporated, Newbury, Ohio.

Part No. 8026A

Systems are tested and certified by WQA against NSF/ANSI Standard 42. Refer to the Performance Data Sheet for specific performance claims. *Certification is dependent on media used in filter.

